

LZ25C

Spare parts

Ersatzteile

Pièces détachées

Reserve onderdelen

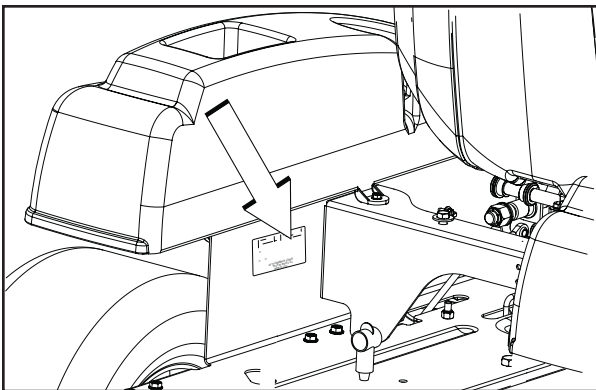
Repuestos

Reservdelar

When you need spare parts or support in service questions, warranty issues, etc., please consult the following professional:

This Parts Manual belongs to the machine with the manufacturing number:	Engine	Transmission

Manufacturing Number



The machine's manufacturing number can be found on the printed plate affixed to the engine compartment. Illustration at left shown with engine removed.

Stated on the plate, from the top are:

- The machine's type designation (I.D.).
- The manufacturer's type number (Model).
- The machine's serial number (Serial no.)

Please have the type designation and serial number available when ordering spare parts.

The engine's manufacturing number is stamped on one of the valve covers.

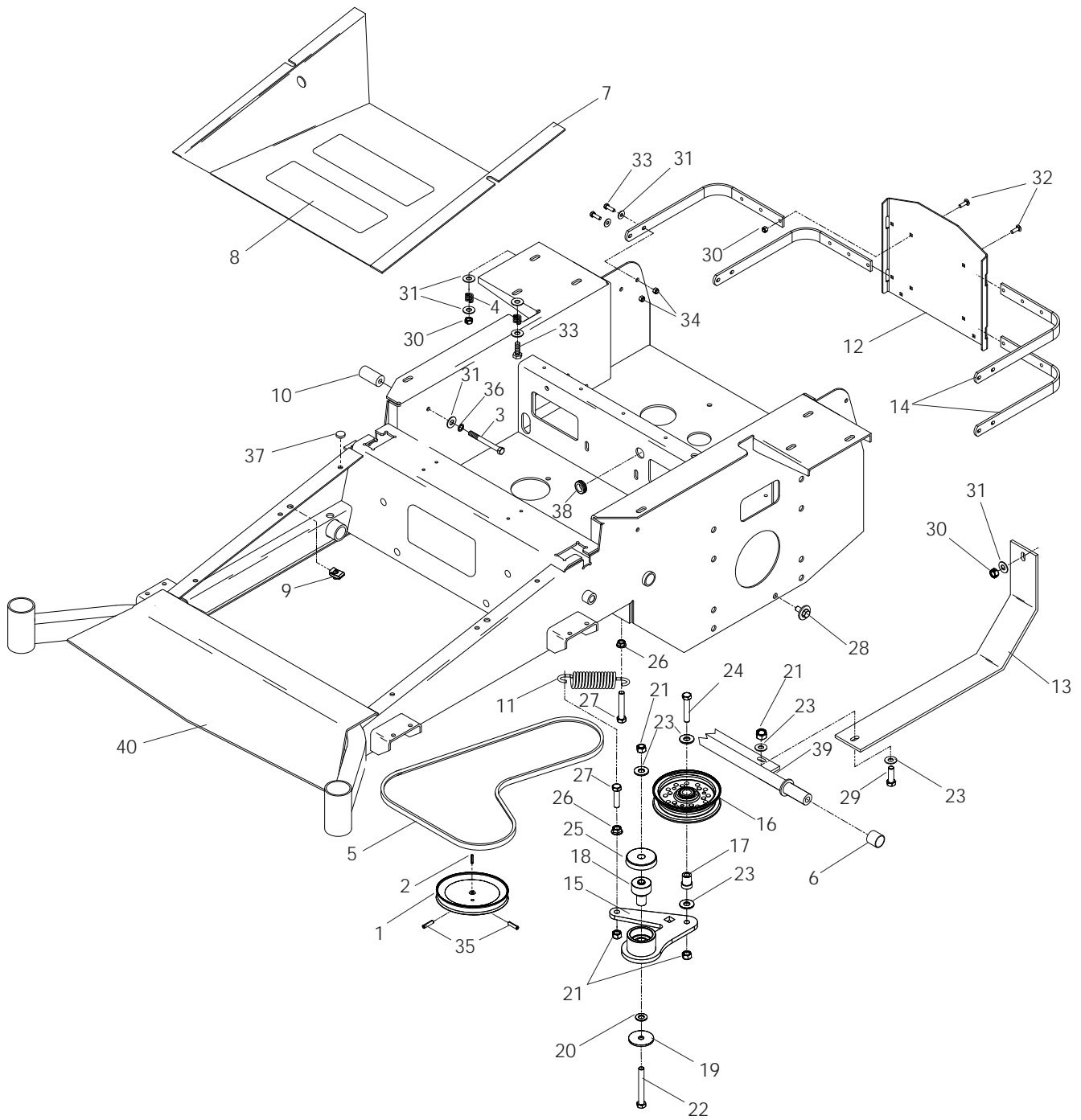
The plate states:

- The engine's model.
- The engine's type.
- Code

Please have these available when ordering spare parts.

The wheel motors and hydrostatic pumps have a barcode decal affixed at the rear.

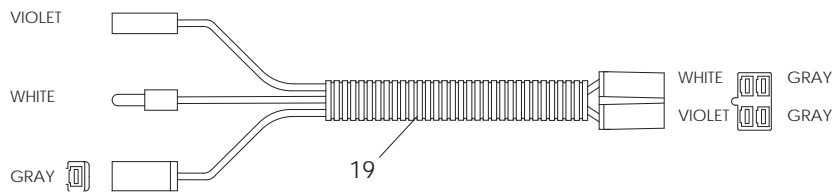
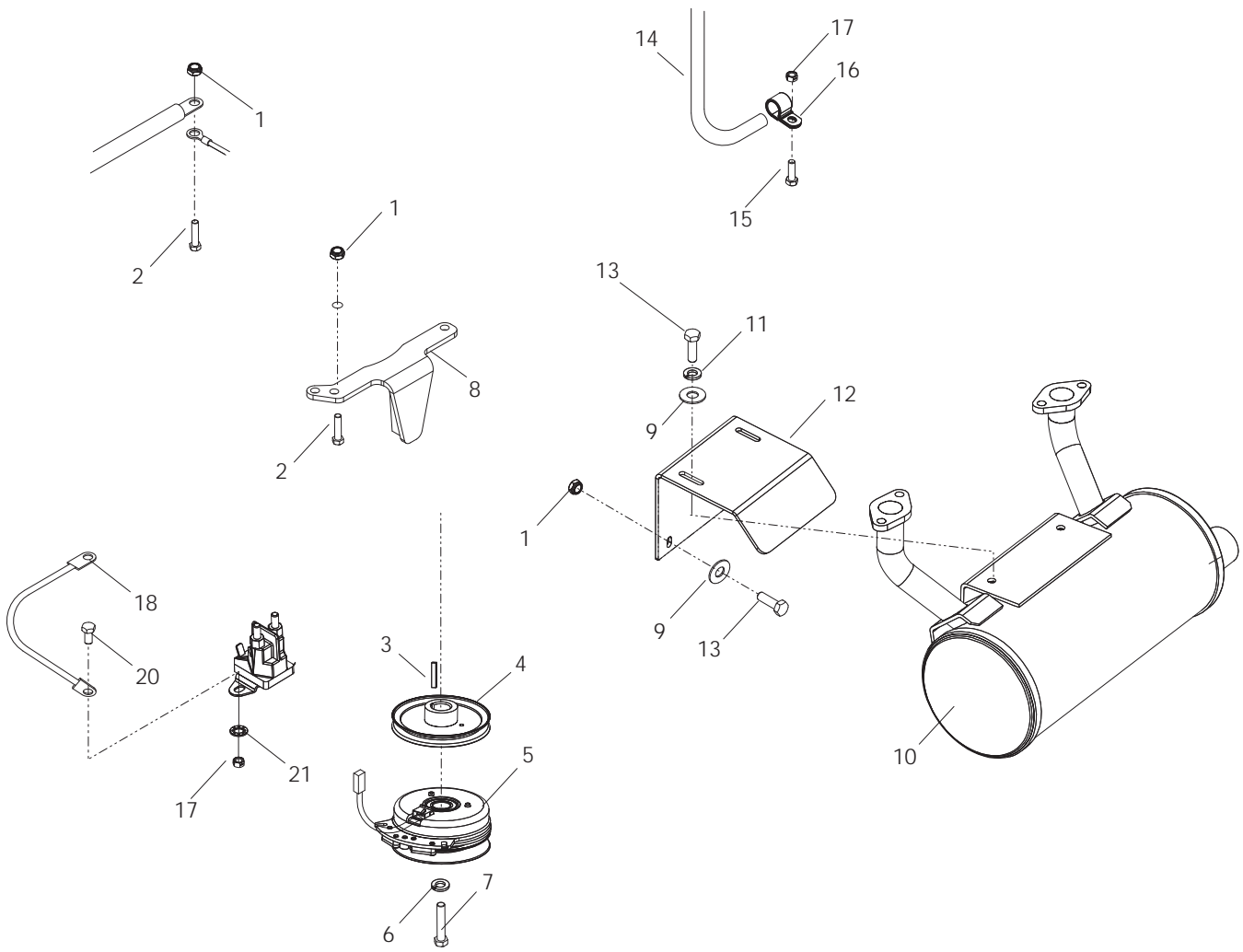
CHASSIS / FRAME



CHASSIS / FRAME

ITEM	PART NO.	QTY.	DESCRIPTION	ITEM	PART NO.	QTY.	DESCRIPTION
1..	539 101176....2	PULLEY	24..	539 990588....1	HCS ³ / ₈ -16 x 2
2..	539 101177....2	KEY	25..	539 114662....1	SHIELD, DUST
3..	539 102335....2	HCS ⁵ / ₁₆ -18 x 4	26..	539 990613....1	NUT ³ / ₈ -16 HEX WHIZLK
4..	539 102845....8	SPRING, FUEL TANK	27..	539 990655....1	HCS ³ / ₈ -16 x 1½
5..	510 201501....1	BELT, PUMP	28..	539 119007....2	BLADE BOLT/WASHER
6..	539 104521....2	SPACER, STRUT	29..	539 990563....6	HCS ³ / ₈ -16 x 1
7..	539 104721....1	FOOT PLATE	30..	539 990184....4	NUT ⁵ / ₁₆ -18 HEX CTRLK
8..	539 977778....3	PAD, ANTI-SKID	31..	539 990692..28	WASHER ⁵ / ₁₆ STD FLT
9..	539 104763....4	RETAINER, ⁵ / ₁₆ -18 U-TYPE	32..	539 990316..10	RHSNB ⁵ / ₁₆ -18 x ³ / ₄
10..	539 104897....2	SPACER-TANK	33..	539 990209..14	HCS ⁵ / ₁₆ -18 x 1
11..	539 103256....1	SPRING	34..	539 990717....4	NUT ⁵ / ₁₆ -18 HEX NYLOC
12..	539 110976....1	GUARD, BLACK	35..	539 110631....2	ROLL PIN
13..	539 112634....2	SKID PLATE	36..	539 990187....4	WASHER ⁵ / ₁₆ LOCK
14..	539 106961....4	STRAP, BLACK	37..	539 102587..10	BUMPER
15..	539 130392....1	ARM, IDLER W/BEARINGS	38..	539 110433....1	GROMMET FUEL LINE
16..	539 976688....1	PULLEY, IDLER HD	39..	539 132302....1	CROSS SHAFT STRUT
17..	539 976695....1	BUSHING, IDLER FLANGE	40..	539 131469....1	FRAME
18..	539 130205....1	PIVOT BEARING	NOT SHOWN			
19..	539 111897....1	WASHER ³ / ₈ SPECIAL		539 112981....1	DECK STOP
20..	539 990122....1	WASHER ³ / ₈ SAE FLT		539 107476....2	BOLT ³ / ₈ -16 x 1 THD FRM
21..	539 976979....3	NUT ³ / ₈ -16 HEX NYLOC		539 113160....3	HEIGHT STOP
22..	539 101341....1	HCS ³ / ₈ -16 x 3				
23..	539 990517....3	WASHER ³ / ₈ STD FLT				

ENGINE PLATE

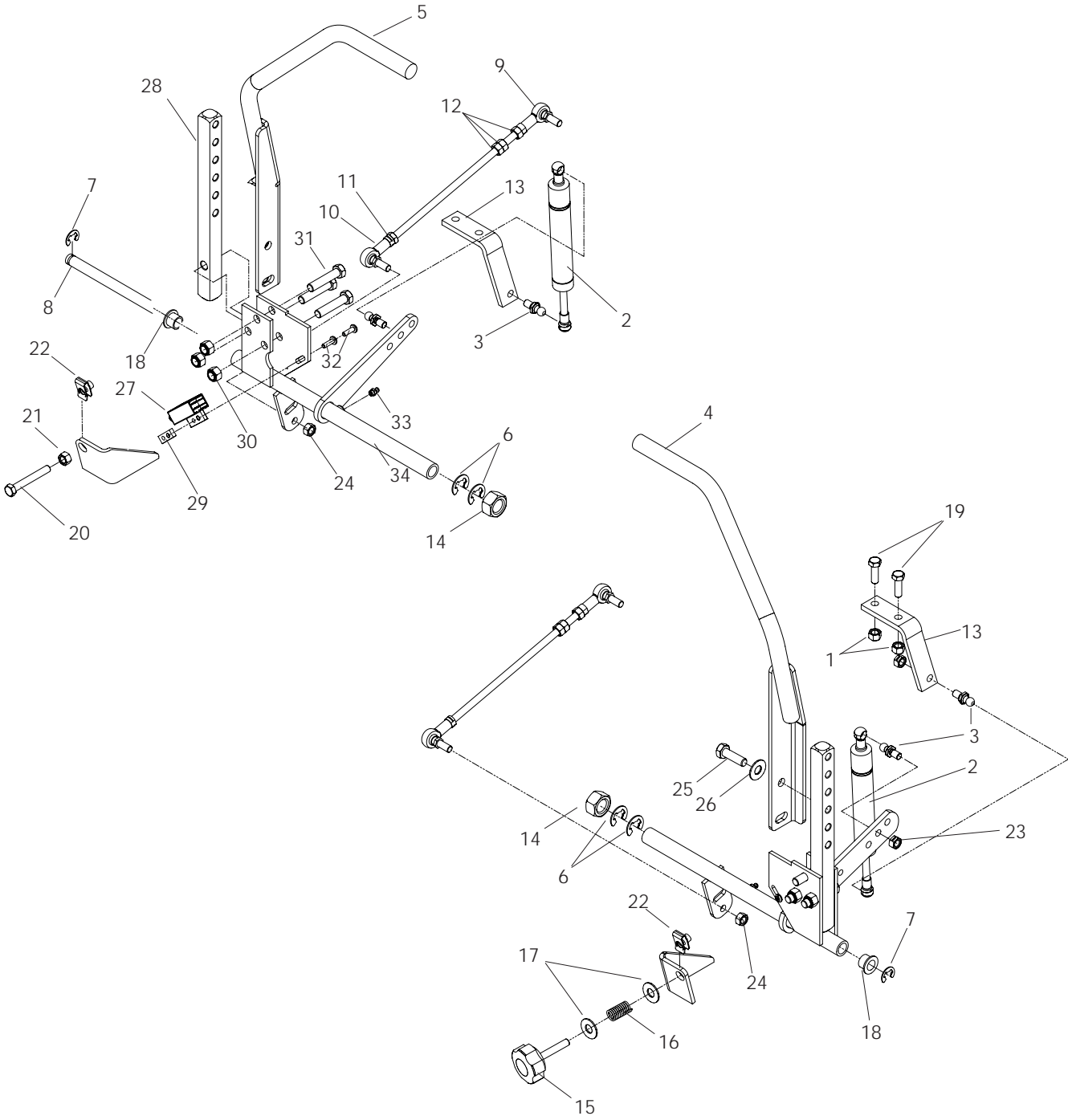


ENGINE PLATE

ITEM	PART NO.	QTY.	DESCRIPTION
1..	539 990717....4	NUT $\frac{5}{16}$ -18 HEX NYLOC
2..	539 990669....4	HCS $\frac{5}{16}$ x $1\frac{3}{4}$
3..	539 100152....1	KEY
4..	539 106057....1	PULLEY
5..	539 105406....1	CLUTCH
6..	539 990247....1	WASHER $\frac{7}{16}$ LOCK
7..	539 991120....1	HCS $\frac{7}{16}$ x $2\frac{1}{2}$
8..	510 201702....1	CLUTCH TIE DOWN
9..	539 990692....2	WASHER $\frac{5}{16}$ STD FLT
10..	539 105897....1	MUFFLER
11..	539 990187....2	WASHER $\frac{5}{16}$ LOCK
12..	539 111093....1	BRACKET, MUFFLER

ITEM	PART NO.	QTY.	DESCRIPTION
13..	539 990209....4	HCS $\frac{5}{16}$ -18 x 1
14..	539 107937....1	OIL DRAIN HOSE
15..	539 990580....1	HCS $\frac{1}{4}$ -20 x $\frac{3}{4}$
16..	539 102685....1	CLAMP
17..	539 990761....3	NUT $\frac{1}{4}$ -20 CNTRLOCK
18..	539 105409....1	GROUND WIRE
19..	539 104415....1	PIGTAIL
20..	539 990072....2	HCS $\frac{1}{4}$ -20 x $\frac{5}{8}$
21..	539 990053....2	WASHER $\frac{1}{4}$ INT TOOTH

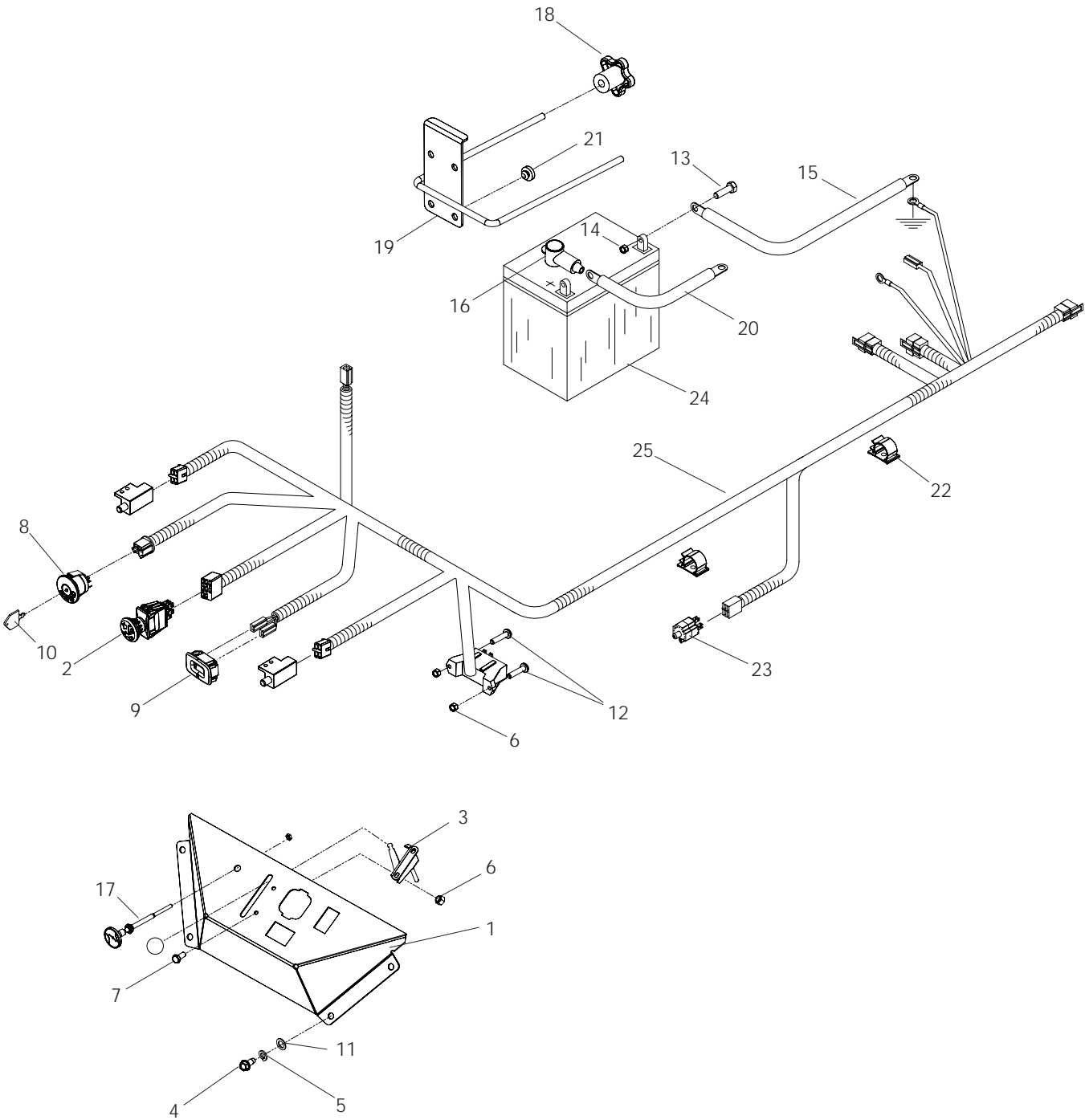
STEERING



STEERING

ITEM	PART NO.	QTY.	DESCRIPTION	ITEM	PART NO.	QTY.	DESCRIPTION
1..	539 990717....7	NUT ⁵ / ₁₆ -18 HEX NYLOC	19..	539 990209....4	HCS ⁵ / ₁₆ -18 x 1
2..	539 131932....2	DAMPENER	20..	539 108394....1	HCS ⁵ / ₁₆ -18 x 1 ³ / ₄ TPBLT
3..	539 110607....2	STUD, 10mm BALL	21..	539 990196....1	NUT ⁵ / ₁₆ -18 HEX
4..	539 131622....1	CONTROL WLDMT LT	22..	539 104763....2	RETAINER, ⁵ / ₁₆ -18 U-TYPE
5..	539 131623....1	CONTROL WLDMT RT	23..	539 990184....2	NUT ⁵ / ₁₆ -18 HEX CTRLK
6..	539 105069....4	E-RING ⁵ / ₈	24..	539 110943....4	NUT ⁵ / ₁₆ -24 NYLOC
7..	539 101949....2	E-RING ¹ / ₂	25..	539 990563....2	HCS ³ / ₈ -16 x 1
8..	539 110833....1	CONTROL SHAFT	26..	539 102593....2	WASHER ³ / ₈ SPRING
9..	539 110604....2	SPHERICAL ROD END LH	27..	539 101080....2	SWITCH, INTERLOCK 2P
10..	539 110603....2	SPHERICAL ROD END RH	28..	539 110638....1	ARM, CONTROL SHAFT
11..	539 991073....2	NUT ⁵ / ₁₆ -24 HEX JAM LH	29..	539 102678....1	TAPPED PLATE
12..	539 990223....6	NUT ⁵ / ₁₆ -24 HEX	30..	539 976979....3	NUT ³ / ₈ -16 HEX NYLOC
13..	539 111074....2	BRACKET, DAMPENER	31..	539 990730....3	HCS ³ / ₈ -16 x 1 ³ / ₄
14..	539 990820....2	NUT ³ / ₄ -16 HEX	32..	539 976952....2	SCREW 10-24 x .625
15..	539 103003....1	KNOB	33..	539 976998....1	ZERK
16..	539 111039....1	SPRING	34..	539 130702....1	CONTROL, DRIVE, LT
17..	539 990692....4	WASHER ⁵ / ₁₆ STD FLT		539 130701...1	CONTROL, DRIVE, RT
18..	539 102519....2	BUSHING				

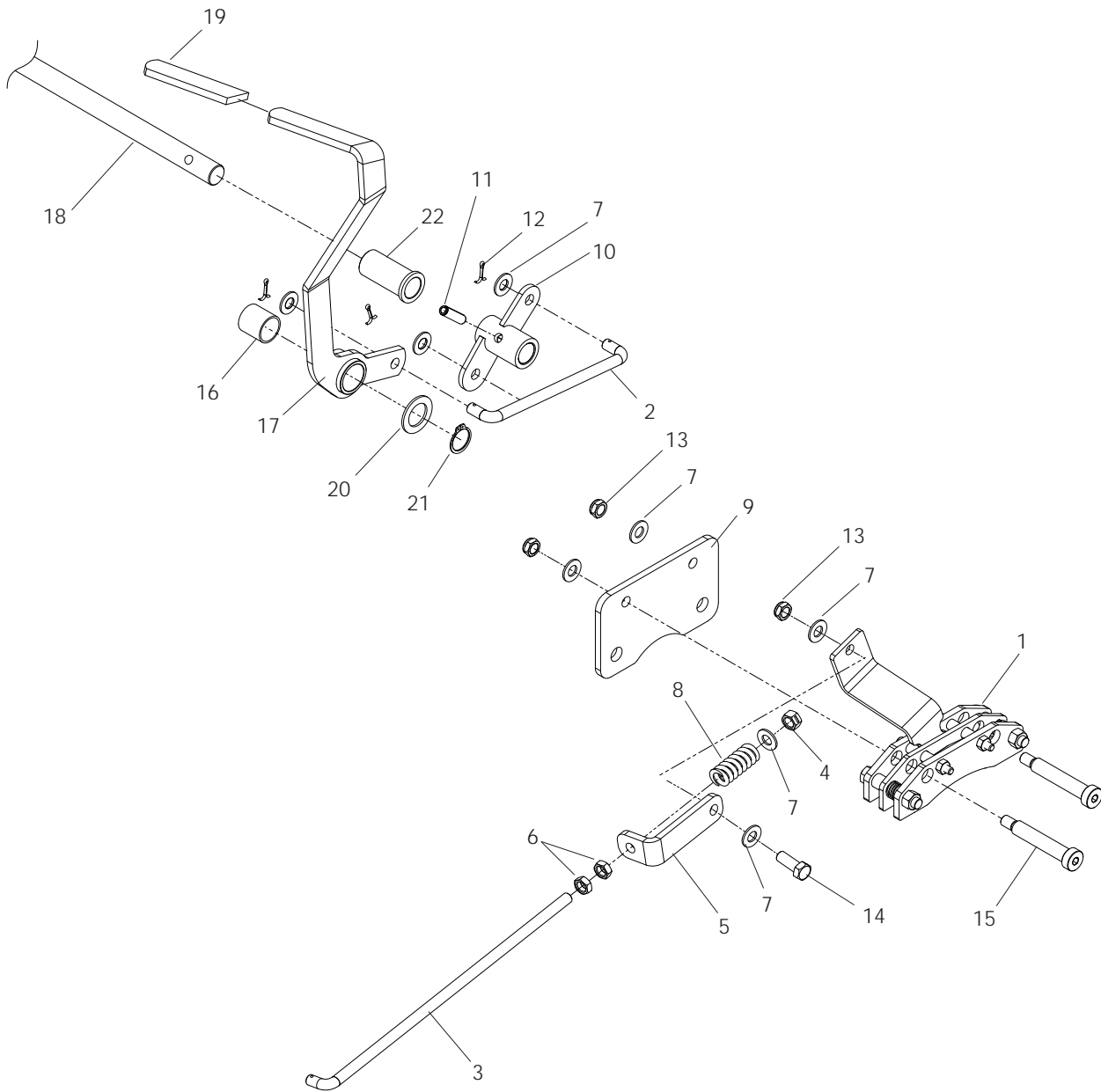
IGNITION SYSTEM



IGNITION SYSTEM

ITEM	PART NO.	QTY.	DESCRIPTION	ITEM	PART NO.	QTY.	DESCRIPTION
1..	539 1109531 CONSOLE	14..	539 9907172 NUT ⁵ / ₁₆ -18 HEX NYLOC
2..	539 1316271 SWITCH, PTO 10 AMP	15..	539 1027581 CABLE, NEGATIVE
3..	539 1027321 CABLE, THROTTLE	16..	539 1027592 INSULATOR, BATTERY
4..	539 9903624 SCREW ¹ / ₄ -20 x ⁵ / ₈	17..	539 1302081 CONTROL, CHOKE
5..	539 9900524 WASHER ¹ / ₄ SPLIT LOCK	18..	539 1051691 KNOB
6..	539 9769772 NUT #10-24 HEX NYLOC	19..	539 1057281 HOLD DOWN, BATTERY
7..	539 9904112 HCS #10-24 x ¹ / ₂	20..	539 1049741 CABLE, POSITIVE / LZ25
8..	539 1075411 SWITCH, IGNITION	21..	539 1025874 BUMPER
9..	539 1100741 HOUR METER	22..	539 1108152 WIRE CLIP, PUSH-MOUNT
10..	539 1075441 KEY, IGNITION	23..	539 1137921 SWITCH, BRAKE
11..	539 9905984 WASHER ¹ / ₄ FLAT	24..	539 1024361 BATTERY, DRY
12..	539 1026172 SCREW #10-24 x ⁷ / ₈ SLT HD	25..	539 1137911 HARNESS
13..	539 9769342 HCS ⁵ / ₁₆ -18 x ³ / ₄				

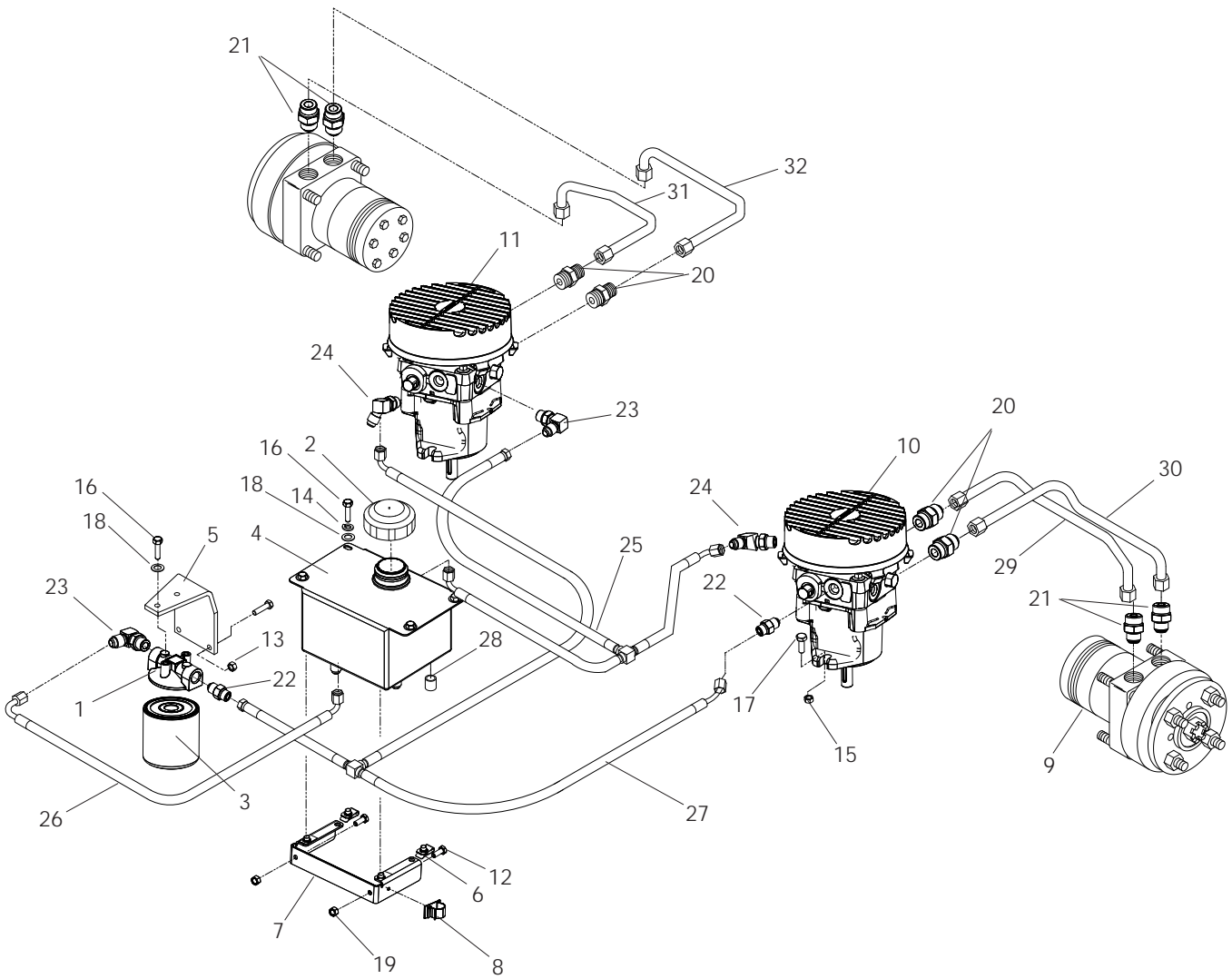
PARKING BRAKE



PARKING BRAKE

ITEM	PART NO.	QTY.	DESCRIPTION	ITEM	PART NO.	QTY.	DESCRIPTION
1..	539 133047....	2	CALIPER, PARK BRAKE	13..	539 200282....	6	NUT $\frac{3}{8}$ -16 HEX JAM NYLOC
2..	539 113947....	1	LINKAGE, BRAKE	14..	539 990563....	2	HCS $\frac{3}{8}$ -16 x 1
3..	539 113949....	1	LINKAGE, REAR BRAKE	15..	539 113951....	4	SB $\frac{3}{8}$ -16 x 2 SKT HD
4..	539 990289....	2	NUT $\frac{3}{8}$ -24 HEX CTRLK	16..	539 108619....	1	BUSHING
5..	539 113950....	2	BRACKET, L	17..	539 108616....	1	LEVER, BRAKE
6..	539 108732....	2	NUT $\frac{3}{8}$ -24 HEX JAM	18..	539 110624....	1	CROSS SHAFT
7..	539 990122..	14	WASHER $\frac{3}{8}$ SAE FLT	19..	539 105036....	1	GRIP, BRAKE HANDLE
8..	539 113952....	1	SPRING	20..	539 923787....	2	BUSHING
9..	539 113948....	2	PLATE, BRAKE	21..	539 101151....	1	RETAINER RING
10..	539 113946....	1	BELLCRANK, BRAKE	22..	539 113479....	1	BUSHING, $\frac{3}{4}$ x 2
11..	539 110631....	1	ROLL PIN				
12..	539 990037....	3	PIN, COTTER				

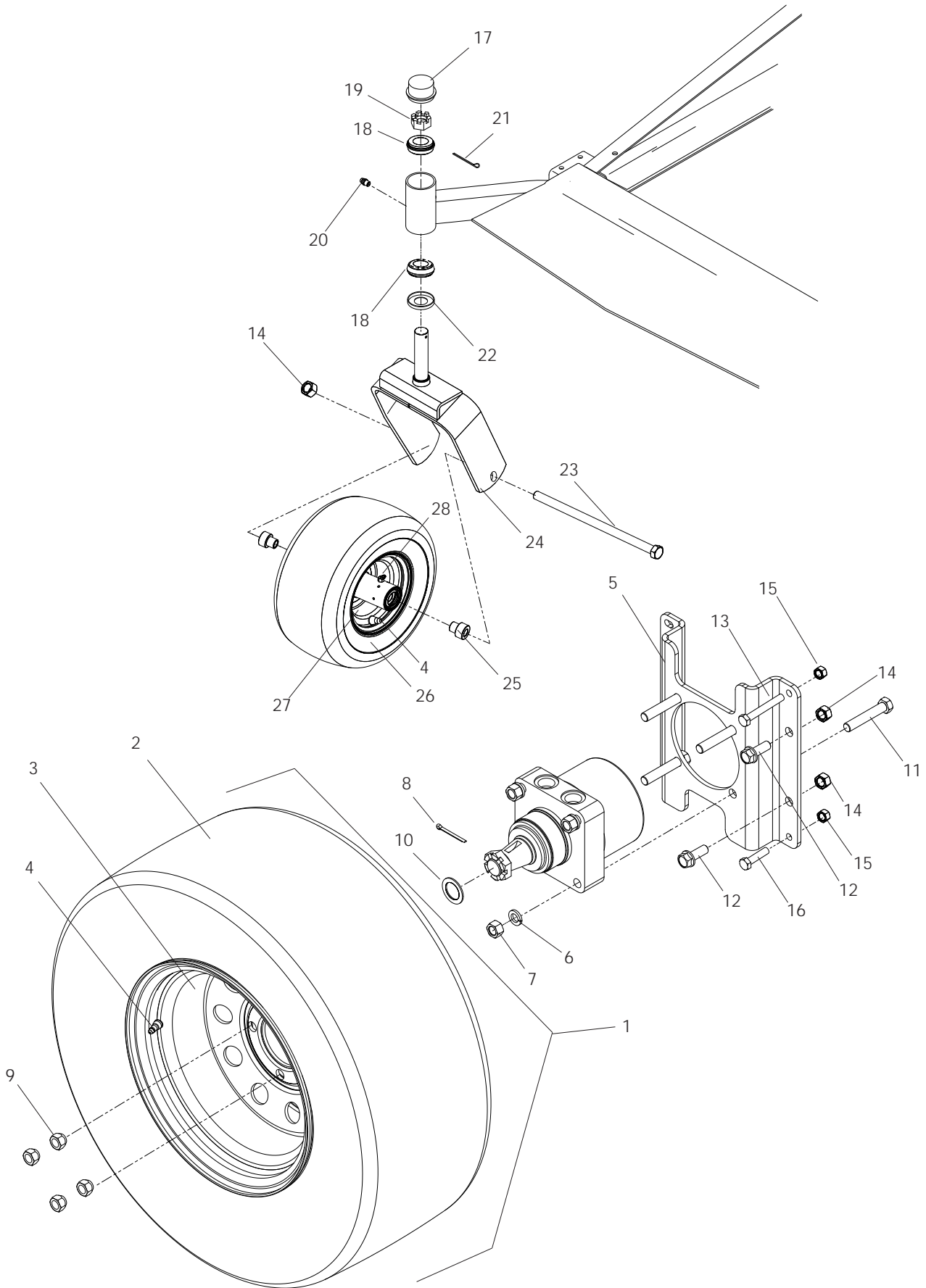
HYDRAULIC PUMP-MOTOR



HYDRAULIC PUMP-MOTOR

ITEM	PART NO.	QTY.	DESCRIPTION	ITEM	PART NO.	QTY.	DESCRIPTION
1..	539 101165....	1	FILTER HEAD	18..	539 990598....	4	WASHER ¼ FLAT
2..	539 101202....	1	CAP, HYDRO TANK	19..	539 990717....	2	NUT 5/16-18 HEX NYLOC
3..	539 102606....	1	FILTER	20..	539 101237....	4	FITTING, STRAIGHT
4..	539 105024....	1	OIL TANK	21..	539 102396....	4	FITTING, STRAIGHT
5..	539 106933....	1	BRACKET, FILTER	22..	539 113782....	2	FITTING, STRAIGHT
6..	539 110813....	4	RETAINER ¼-20 U-TYPE	23..	539 101238....	2	FITTING, ELBOW
7..	539 110814....	1	MOUNT, TANK	24..	539 132316....	2	FITTING, ELBOW
8..	539 110815....	1	WIRE CLIP PUSH-MOUNT	25..	539 132290....	1	"T" ASSEM, RETURN
9..	539 110823....	2	TI15 WHEEL MOTOR	26..	539 132288 ...	1	HOSE, TANK
10..	539 132142....	1	PUMP 10cc W/FAN LT	27..	539 132289 ...	1	"T" ASSEM, SUPPLY
11..	539 132143....	1	PUMP 10cc W/FAN RT	28..	539 105168....	1	CAP
12..	539 976934....	2	HCS 5/16-18 x ¾	29..	539 132284....	1	HYDRAULIC LINE
13..	539 976978....	2	NUT ¼-20 HEX NYLOC	30..	539 132285....	1	HYDRAULIC LINE
14..	539 990052....	2	WASHER ¼ SPLIT LOCK	31..	539 132286....	1	HYDRAULIC LINE
15..	539 990546....	4	NUT 3/8-16 HEX CTR LK	32..	539 132287....	1	HYDRAULIC LINE
16..	539 990580....	8	HCS ¼-20 x ¾				
17..	539 990582....	4	HCS 3/8-16 x 1 WHIZLK				

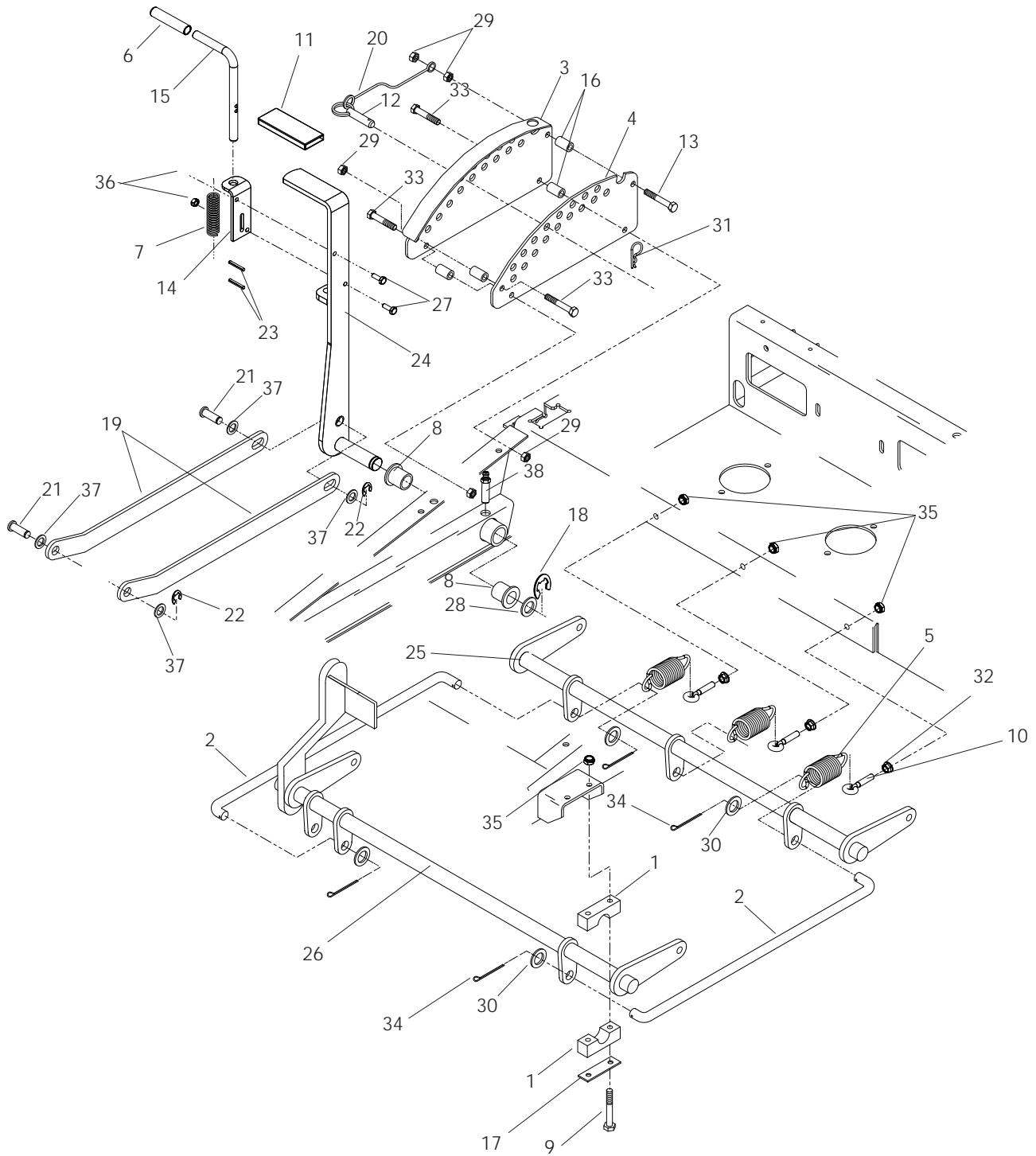
WHEELS AND TIRES



WHEELS AND TIRES

ITEM	PART NO.	QTY.	DESCRIPTION	ITEM	PART NO.	QTY.	DESCRIPTION
1..	539 112592....	2	TIRE ASSEM, RR 23 x 9.5-12	15..	539 976979....	8	NUT 3/8-16 HEX NYLOC
2..	539 112599....	2	TIRE RR	16..	539 976941....	4	HCS 3/8-16 x 1 1/4
3..	510 253001....	2	RIM RR	17..	539 102535....	2	CAP, GREASE
4..	539 912234....	4	VALVE	18..	539 102543....	4	BEARING, ROLLER
5..	539 132300....	2	MOUNT WHEEL MOTOR	19..	539 102852....	2	NUT 1-14 SLOTTED JAM
6..	539 990254....	4	WASHER 1/2 SPLT LOCK	20..	539 101474....	2	ZERK
7..	539 990258....	4	NUT 1/2-13 HEX	21..	539 102889....	2	PIN, COTTER
8..	539 104288....	1	PIN, COTTER	22..	539 102851....	2	SEAL
9..	539 101173....	4	LUG NUT 1/2	23..	539 105517....	2	HCS 1/2-13 x 9 1/2
10..	539 916561....	1	BUSHING, 1 x 14 GA	24..	539 105982....	2	YOKE, CASTER
11..	539 101332....	4	HCS 1/2-13 x 2 3/4	25..	539 105518....	4	SPACER, AXLE
12..	539 990622....	8	BOLT 1/2-13 x 1 1/4 WHIZLK	26..	539 105521....	2	WHEEL ASSEM, CASTER
13..	539 990629....	4	HCS 3/8-16 x 2 1/4	27..	539 105523....	2	RIM
14..	539 101331....	2	NUT 1/2-13 HEX NYLOC	28..	539 103300....	2	ZERK

MOWER LIFT / DECK LIFT

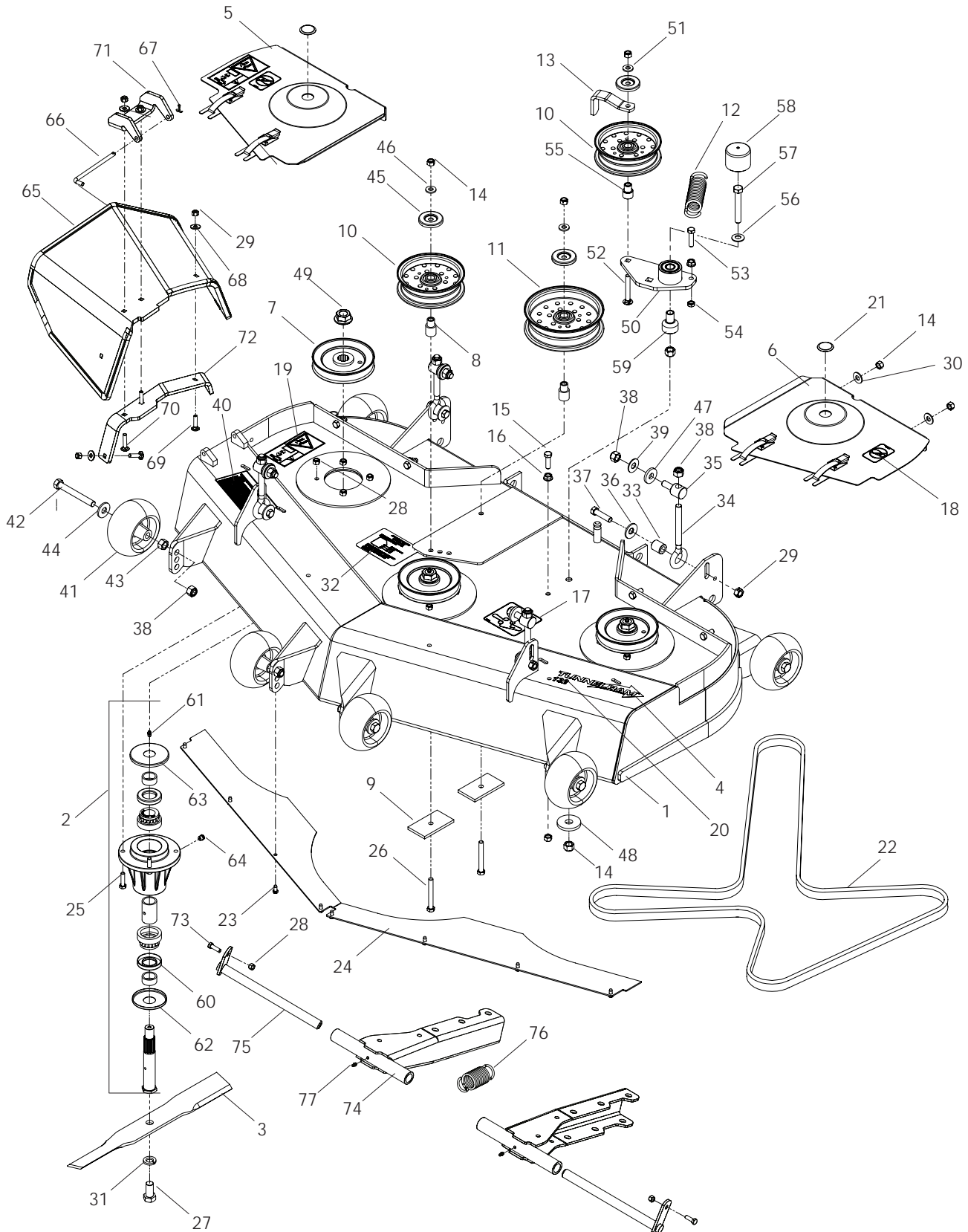


MOWER LIFT / DECK LIFT

ITEM	PART NO.	QTY.	DESCRIPTION	ITEM	PART NO.	QTY.	DESCRIPTION
1..	539 104808....	8PILLOW BLOCK	20..	539 105059....	1 LANYARD
2..	539 104310....	2LINK-CONNECTING	21..	539 105060....	2 CLEVIS PIN ⁵ / ₈
3..	539 104321....	1ADJUSTMNT PLATE, OUTER	22..	539 105069....	2 E-RING, ⁵ / ₈
4..	539 104323....	1ADJUSTMNT PLATE, INNER	23..	539 106532....	2 PIN, GROOVED
5..	539 104760....	2 SPRING, EXTENTION COMBI DECK	24..	539 108322....	1 LIFT LEVER
	539 104760 ...	3 SPRING, EXTENTION TUNNEL DECK	25..	539 108354....	1 LIFT SHAFT WLDMT REAR
6..	539 101050....	1 GRIP, VINYL	26..	539 132170....	1 LIFT SHAFT WLDMT FRONT
7..	539 101058....	1 SPRING, COMPRESSION	27..	539 990580....	3 HCS ¹ / ₄ -20 x ³ / ₄
8..	539 101232....	2 FLANGE BUSHING	28..	539 923787....	2 BUSHING
9..	539 101721....	8HCS ⁵ / ₁₆ x 2 ³ / ₄	29..	539 976979....	5 NUT ³ / ₈ -16 HEX NYLOC
10..	539 101982....	2 EYEBOLT ⁵ / ₁₆ COMBI DECK	30..	539 976982....	4 WASHER ⁵ / ₈ SAE
	539 101982 ...	3 EYEBOLT ⁵ / ₁₆ TUNNEL DECK	31..	539 976989....	1 PIN #4 HAIR
11..	539 102515....	1 CUSHION, HANDLE	32..	539 990585....	2 NUT ⁵ / ₁₆ WHIZ COMBI DECK
12..	539 102526....	1 HITCH PIN		539 990585 ...	3 NUT ⁵ / ₁₆ WHIZ TUNNEL DECK
13..	539 102612....	3 HCS ³ / ₈ -16 x 2 ³ / ₄	33..	539 990637....	3 HCS ³ / ₈ x 2 ¹ / ₂
14..	539 103534....	1 PIN MOUNT UPPER	34..	539 990654....	4 PIN, COTTER
15..	539 104523....	1 PIN, LOCKING	35..	539 990717....	3 NUT ⁵ / ₁₆ -18 HEX NYLOC
16..	539 104530....	4 DECK LIFT SPACER	36..	539 990761....	2 NUT ¹ / ₄ -20 CNTRLOCK
17..	539 104807....	4 SUPPORT PLATE	37..	539 991043....	4 BUSHING
18..	539 101802....	1 E-RING, ⁷ / ₈	38..	539 104761....	1 ZERK, LONG
19..	539 105050....	2 LIFT LINKAGE				

52" CUTTING DECK

TUNNEL DECK

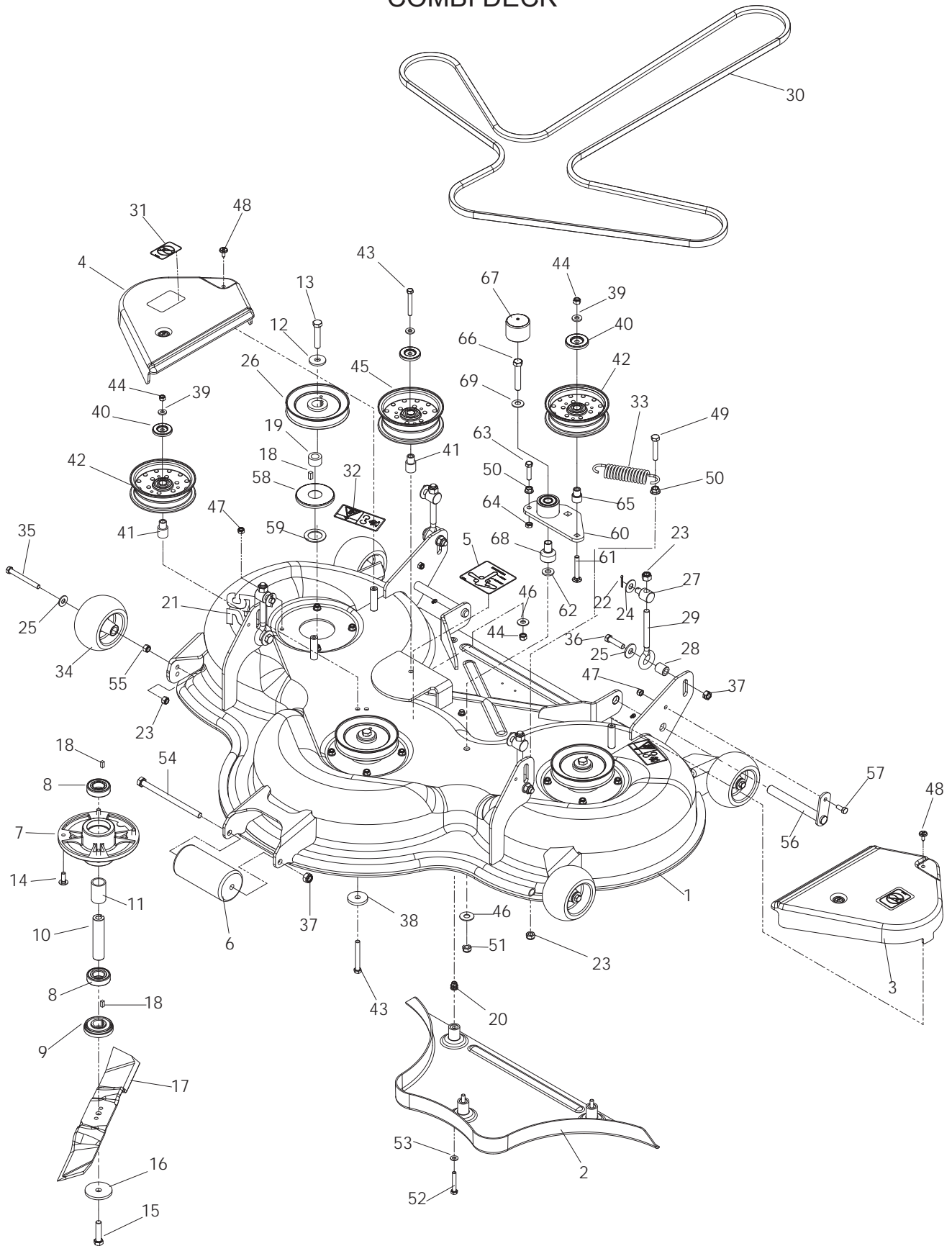


52" CUTTING DECK

ITEM	PART NO.	QTY.	DESCRIPTION	ITEM	PART NO.	QTY.	DESCRIPTION
1..	539 1113771 DECK W/DECALS	41..	539 1076106 WHEEL, GAUGE
2..	539 1313833 HOUSING ASSM	42..	539 1083666 HCS ½-13 x 4
3..	539 1126133 BLADE, 18"	43..	539 9902586 NUT ½-13
4..	539 1115611 DECAL, TUNNELRAM	44..	539 1095546 WASHER ½
5..	539 1133611 BELT SHIELD RT	45..	510 2545013 SHIELD, DUST
6..	539 1133601 BELT SHIELD LT	46..	522 0234013 WASHER ¾ THICK
7..	539 1072773 PULLEY, 52	47..	539 1155504 WASHER
8..	539 1032952 BUSHING, IDLER	48..	539 1022431 WASHER, SUPPORT
9..	539 1033032 PAD	49..	539 1306533 NUT ¾-16 FLANGED
10..	539 1032572 PULLEY, IDLER	50..	539 1303911 ARM, IDLER W/BEARINGS
11..	521 9666011 PULLEY, IDLER (WIDE)	51..	522 0234011 WASHER ¾ THICK
12..	539 1306901 SPRING	52..	539 1302351 RHSNB ¾-16 x 2¾
13..	539 1149811 GUIDE, BELT	53..	539 1070421 HCS ¾-16 x 1½ GR8
14..	539 9769797 NUT ¾-16 HEX NYLOC	54..	539 1093321 NUT ¾-16 JAM
15..	539 9769411 HCS ¾-16 x 1¼	55..	539 1302421 BUSHING, IDLER
16..	539 9906132 NUT ¾-16 WHIZLK	56..	539 1155281 WASHER ½ BELLEVILLE
17..	539 1126201 DECAL, BELT ROUTING	57..	539 1034331 HCS ½-13 x 3¼
18..	539 1057432 DECAL, NO STEP	58..	539 1148231 CAP, VINYL
19..	539 1057461 DECAL, SEVERING	59..	510 2063011 PIVOT, BEARING
20..	539 1125361 DECAL, 132	60..	539 1087546 SEAL, SHAFT
21..	539 1116412 BUTTON PLUG 1"	61..	539 1014743 ZERK
22..	522 7959011 BELT, 52" DECK	62..	539 1084493 DUST CAP, BOTTOM
23..	539 1055328 SCREW ¼-20 SLF TAP	63..	539 1084503 DUST CAP, TOP
24..	539 1113722 PLATE, CONFINEMENT	64..	539 9773263 POPPET, GREASE
25..	539 990627	..12 HCS 5/16-18 x 1¼	65..	539 1307791 DISCHARGE CHUTE
26..	539 1013412 HCS ¾-16 x 3	66..	539 1318131 PIN, CHUTE PIVOT
27..	539 1032993 HCS 5/8 x 1¼	67..	539 9903655 PIN, COTTER 1/8 x ¾
28..	539 990717	..12 NUT 5/16-18 HEX NYLOC	68..	539 9906924 WASHER 5/16
29..	539 9908394 NUT 7/16-14 CTRLK GR A	69..	539 1004722 RHSNB 5/16-18 x 1¼
30..	539 9905174 WASHER ¾ STD FLAT	70..	539 1029332 RHSNB 5/16-18 x 1½
31..	539 9903333 WASHER 5/8 SLW	71..	539 1309231 BRACKET, CHUTE
32..	539 1052321 DECAL, ANTI-SCALP	72..	539 1309251 REINFORCEMENT, BRCKET
33..	539 1144044 SPACER	73..	539 9902092 HCS 5/16-18 x 1
34..	539 1192274 EYEBOLT	74..	539 1125172 STRUT
35..	505 2565014 SWIVEL	75..	539 1026192 PIN, PIVOT
36..	539 1124844 WASHER ½ SPRING	76..	539 1047601 SPRING, EXTENSION
37..	539 1080734 HCS 7/16-14 x 1¾	77..	539 9769981 ZERK
38..	539 101331	..14 NUT ½-13 HEX NYLOC				NOT SHOWN
39..	539 9905504 WASHER ½		539 1133571 GUARD
40..	539 1302451 DECAL, DISCHARGE				

52" CUTTING DECK

COMBI DECK

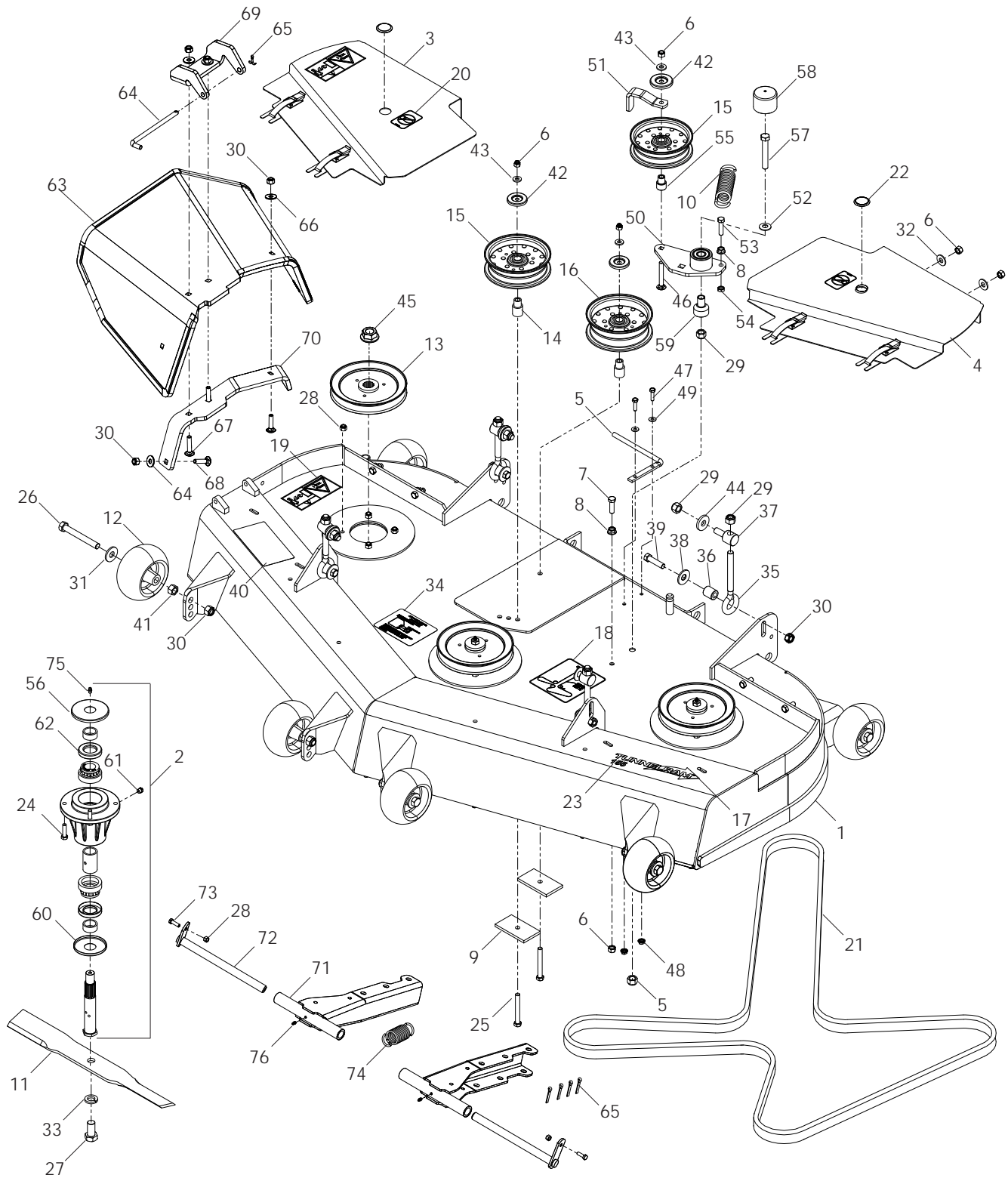


52" CUTTING DECK

ITEM	PART NO.	QTY.	DESCRIPTION	ITEM	PART NO.	QTY.	DESCRIPTION
1..	539 133056....	1 COMBI 52" DECK W/DECALS	36..	539 108073....	4 HCS 7/16-14 x 1 3/4
2..	544 166201....	1 MULCH PLUG, 132	37..	539 990839....	5 NUT 7/16-14, CTRLK, GR A
3..	539 112508....	1 BELT SHIELD, LT	38..	539 106504....	1 WASHER, HEAVY
4..	539 112509....	1 BELT SHIELD, RT	39..	522 023401....	3 WASHER 3/8, THICK
5..	539 112620....	1 DECAL, BELT ROUTING	40..	510 254501....	3 SHIELD, DUST
6..	544 185401....	1 ROLLER	41..	539 103295....	2 BUSHING, IDLER
7..	535 428901....	3 HOUSING, BEARING	42..	539 103257....	2 PULLEY, IDLER
8..	738 220519....	6 BEARING	43..	539 102612....	2 HCS 3/8-16 x 2 3/4
9..	539 132778....	3 BUSHING, BLADE	44..	539 976979....	3 NUT 3/8-16 HEX NYLOC
10..	535 428702....	3 AXLE	45..	539 103258....	1 PULLEY, IDLER (TALL)
11..	535 428801....	3 SPACER	46..	539 990517....	2 WASHER 3/8
12..	539 115550....	3 WASHER 1/2	47..	539 112899..	14 NUT 5/16-18 FLANGE NYLOC
13..	539 132479....	3 HCS M12 x 1.75 x 60, GR8.8	48..	539 990362....	4 SCREW 1/4-20 x 5/8, SELF TAP
14..	539 990208..	12 RHSNB 5/16-18 x 1	49..	539 990588....	1 HCS 3/8-16 x 2
15..	539 132480....	3 HCS M12 x 1.75 x 50, GR8.8	50..	539 990613....	2 NUT 3/8-16, WHIZLK
16..	506 792302....	3 WASHER	51..	539 200282....	1 NUT, 3/8-16 HEX JAM NYLOC
17..	544 175701....	3 BLADE, C132	52..	539 132494....	3 HCS M8 x 1.25 x 50, GR8.8
18..	506 533501....	6 KEY	53..	539 990188....	3 WASHER 5/16, SAE
19..	539 112609....	3 KEY RETAINER	54..	539 132470....	1 HCS 7/16-14 x 7
20..	506 916203....	3 BLIND RIVET NUT	55..	539 990258....	4 NUT 1/2-13
21..	544 245301....	1 LABEL	56..	539 132498....	2 PIN, STRUT
22..	539 109246....	4 PIN COTTER, 1/8 x 1	57..	539 990209....	2 HCS 5/16-18 x 1
23..	539 101331....	9 NUT 1/2-13 HEX NYLOC	58..	539 108449....	3 DUST CAP, BOTTOM
24..	539 990550....	4 WASHER 1/2	59..	539 127099....	3 WASHER 1.06
25..	539 109554....	8 WASHER 1/2	60..	539 130391....	1 ARM, IDLER W/BEARINGS
26..	539 112506....	3 PULLEY, 52	61..	539 128101....	1 BOLT 3/8-16 x 2 1/2, CARRIAGE
27..	539 114405....	4 SWIVEL	62..	539 990250....	1 WASHER 1/2, SAE
28..	539 114404....	4 SPACER	63..	539 107042....	1 HCS 3/8-16 X 1 1/2 GR8
29..	539 119227....	4 EYEBOLT	64..	539 109332....	1 NUT 3/8-16 JAM
30..	539 112529....	1 DECK BELT, 52"	65..	539 130242....	1 BUSHING, IDLER
31..	539 105743....	2 DECAL, NO STEP	66..	539 101332....	1 HCS 1/2-13 x 2 3/4
32..	539 105744....	2 DECAL, BELT DRIVES	67..	539 114823....	1 CAP, VINYL
33..	539 103256....	1 SPRING	68..	510 206301....	1 PIVOT, BEARING
34..	539 107610....	4 WHEEL, GAUGE	69..	539 115528....	1 WASHER 1/2, BELLEVILLE
35..	539 108366....	4 HCS 1/2-13 x 4				

61" CUTTING DECK

TUNNEL DECK

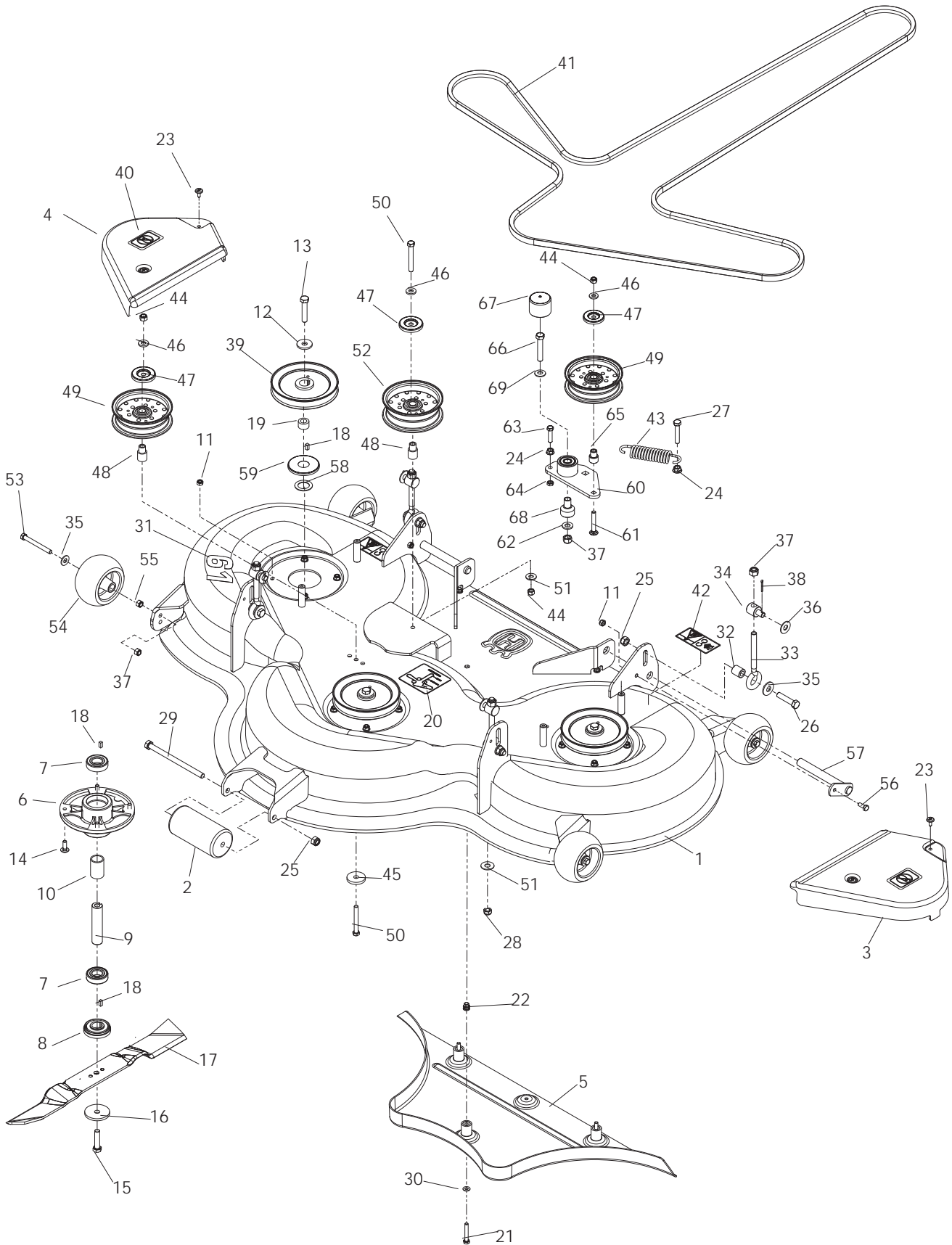


61" CUTTING DECK

ITEM	PART NO.	QTY.	DESCRIPTION	ITEM	PART NO.	QTY.	DESCRIPTION
1..	539 1113781 61" DECK W/DECALS	39..	539 1080734 HCS $\frac{7}{16}$ -14 x $1\frac{3}{4}$
2..	539 1313833 HOUSING ASSM	40..	539 1302451 DECAL, DISCHARGE
3..	510 2021021 BELT SHIELD 61" RT	41..	539 9902586 NUT $\frac{1}{2}$ -13
4..	510 2022021 BELT SHIELD 61" LT	42..	510 2545013 SHIELD, DUST
5..	522 6298011 GUIDE, BELT	43..	522 0234013 WASHER $\frac{3}{8}$ THICK
6..	539 9769798 NUT $\frac{3}{8}$ -16 HEX NYLOC	44..	539 1055504 WASHER
7..	539 9769411 HCS $\frac{3}{8}$ -16 x $1\frac{1}{4}$	45..	539 1306533 NUT $\frac{3}{4}$ -16 FLANGED
8..	539 9906132 NUT $\frac{3}{8}$ -16 WHIZLK	46..	539 1302351 RHSNB $\frac{3}{8}$ -16 x $2\frac{3}{4}$
9..	539 1033032 PAD	47..	539 9905482 HCS $\frac{1}{4}$ -20 x 1
10..	539 1051921 SPRING	48..	539 1087352 NUT $\frac{1}{4}$ -20 HEX FLANGED LK
11..	539 1126143 BLADE, 21"	49..	539 9900552 WASHER $\frac{1}{4}$ FLAT SAE
12..	539 1076106 WHEEL, GAUGE	50..	539 1303911 ARM, IDLER W/BEARINGS
13..	539 1121253 PULLEY, 61	51..	539 1149811 GUIDE, BELT
14..	539 1032952 BUSHING, IDLER	52..	539 1155281 WASHER $\frac{1}{2}$ BELLEVILLE
15..	539 1032572 PULLEY, IDLER	53..	539 1070421 HCS $\frac{3}{8}$ -16 x $1\frac{1}{2}$ GR8
16..	521 9666011 PULLEY, IDLER (WIDE)	54..	539 1093321 NUT $\frac{3}{8}$ -16 JAM
17..	539 1115611 DECAL, TUNNELRAM 8"	55..	539 1302421 BUSHING, IDLER
18..	539 1126201 DECAL, BELT ROUTING	56..	539 1084503 DUST CAP, TOP
19..	539 1057461 DECAL, SEVERING	57..	539 1034331 HCS $\frac{1}{2}$ -13 x $3\frac{1}{4}$
20..	539 1057432 DECAL, NO STEP	58..	539 1148231 CAP, VINYL
21..	510 2013011 BELT, 61" DECK	59..	510 2063011 PIVOT, BEARING
22..	539 1116412 BUTTON PLUG 1"	60..	539 1084491 DUST CAP, BOTTOM
23..	539 1125371 DECAL, 155	61..	539 9773263 POPPET, GREASE
24..	539 990627	..12 HCS $\frac{5}{16}$ -18 x $1\frac{1}{4}$	62..	539 1087542 SEAL, SHAFT
25..	539 1013412 HCS $\frac{3}{8}$ -16 x 3	63..	539 1307791 DISCHARGE CHUTE
26..	539 1083666 HCS $\frac{1}{2}$ -13 x 4	64..	539 1318131 PIN, CHUTE PIVOT
27..	539 1032993 HCS $\frac{5}{8}$ x $1\frac{1}{4}$	65..	539 9903655 PIN, COTTER $\frac{1}{8}$ x $\frac{3}{4}$
28..	539 990717	..12 NUT $\frac{5}{16}$ -18 NYLOC	66..	539 9906924 WASHER $\frac{5}{16}$
29..	539 101331	..14 NUT $\frac{1}{2}$ -13 HEX NYLOC	67..	539 1004722 RHSNB $\frac{5}{16}$ -18 x $1\frac{1}{4}$
30..	539 9908394 NUT $\frac{7}{16}$ -14 CTRLK, GR A	68..	539 1029332 RHSNB $\frac{5}{16}$ -18 x $1\frac{1}{2}$
31..	539 1095546 WASHER $\frac{1}{2}$	69..	539 1309231 BRACKET, CHUTE
32..	539 9905174 WASHER $\frac{3}{8}$	70..	539 1309251 REINFORCEMENT, BRCKET
33..	539 9903333 WASHER $\frac{5}{8}$ SLW	71..	539 1125172 STRUT
34..	539 1052321 DECAL, ANTI-SCALP	72..	539 1026192 PIN, PIVOT
35..	539 1192274 EYEBOLT	73..	539 9902092 HCS $\frac{5}{16}$ -18 x 1
36..	539 1144044 SPACER	74..	539 1047601 SPRING, EXTENSION
37..	505 2565014 SWIVEL	75..	539 1014743 ZERK
38..	539 1124844 WASHER $\frac{1}{2}$ SPRING	76..	539 9769982 ZERK

61" CUTTING DECK

COMBI DECK

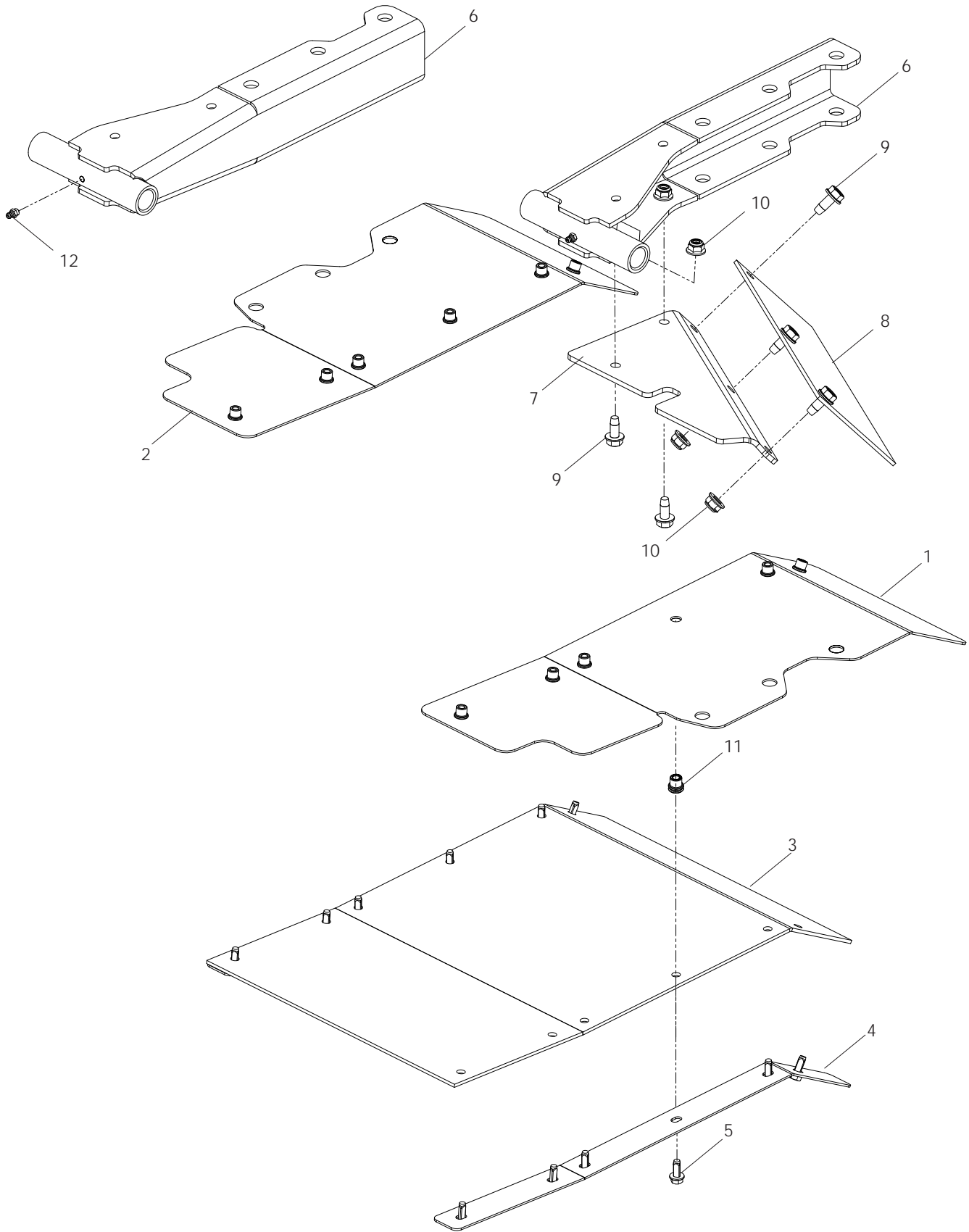


61" CUTTING DECK

ITEM	PART NO.	QTY.	DESCRIPTION	ITEM	PART NO.	QTY.	DESCRIPTION
1..	539 1330571 COMBI 61" DECK W/DECALS	36..	539 9905504 WASHER 1/2
2..	544 1854011 ROLLER	37..	539 1013319 NUT 1/2-13 HEX NYLOC
3..	539 1125081 BELT SHIELD, LT	38..	539 1092464 PIN COTTER, 1/8 x 1
4..	539 1125091 BELT SHIELD, RT	39..	539 1125073 PULLEY, 61
5..	544 1664011 MULCH PLUG, 155	40..	539 1057432 DECAL, NO STEP
6..	535 4289013 HOUSING, BEARING	41..	539 1125301 DECK BELT, 61"
7..	738 2205196 BEARING	42..	539 1057442 DECAL, BELT DRIVES
8..	539 1327783 BUSHING, BLADE	43..	539 1032561 SPRING
9..	535 4287023 AXLE	44..	539 9769793 NUT 3/8-16 HEX NYLOC
10..	535 4288013 SPACER	45..	539 1065041 WASHER, HEAVY
11..	539 112899	..14 NUT 5/16-18 FLANGE NYLOC	46..	522 0234013 WASHER 3/8, THICK
12..	539 1155503 WASHER 1/2	47..	510 2545013 SHIELD, DUST
13..	539 1324793 HCS M12 x 1.75 x 60, GR8.8	48..	539 1032952 BUSHING, IDLER
14..	539 990208	..12 RHSNB 5/16-18 x 1	49..	539 1032572 PULLEY, IDLER
15..	539 1324803 HCS M12 x 1.75 x 50, GR8.8	50..	539 1026122 HCS 3/8-16 x 2 3/4
16..	506 7923023 WASHER	51..	539 9905172 WASHER 3/8
17..	544 1758013 BLADE, C155	52..	539 1032581 PULLEY, IDLER (TALL)
18..	506 5335016 KEY	53..	539 1083664 HCS 1/2-13 x 4
19..	539 1126093 KEY RETAINER	54..	539 1076104 WHEEL, GAUGE
20..	539 1126201 DECAL, BELT ROUTING	55..	539 9902584 NUT 1/2-13
21..	539 1324943 HCS M8 x 1.25 x 50, GR8.8	56..	539 9902092 HCS 5/16-18 x 1
22..	506 9162033 BLIND RIVET NUT	57..	539 1324982 PIN, STRUT
23..	539 9903624 SCREW 1/4-20 x 5/8, SELF TAP	58..	539 1270993 WASHER 1.06
24..	539 9906132 NUT 3/8-16, WHIZLK	59..	539 1084493 DUST CAP, BOTTOM
25..	539 9908395 NUT 7/16-14, CTRLK, GR A	60..	539 1303911 ARM, IDLER W/BEARINGS
26..	539 1080734 HCS 7/16-14 x 1 3/4	61..	539 1281011 BOLT 3/8-16 x 2 1/2, CARRIAGE
27..	539 9905881 HCS 3/8-16 x 2	62..	539 9902501 WASHER 1/2, SAE
28..	539 2002821 NUT, 3/8-16 HEX JAM NYLOC	63..	539 1070421 HCS 3/8-16 X 1 1/2 GR8
29..	539 1324701 HCS 7/16-14 x 7	64..	539 1093321 NUT 3/8-16 JAM
30..	539 9901883 WASHER 5/16, SAE	65..	539 1302421 BUSHING, IDLER
31..	544 2453021 LABEL	66..	539 1013321 HCS 1/2-13 x 2 3/4
32..	539 1144044 SPACER	67..	539 1148231 CAP, VINYL
33..	539 1192274 EYEBOLT	68..	510 2063011 PIVOT, BEARING
34..	539 1144054 SWIVEL	69..	539 1155281 WASHER 1/2, BELLEVILLE
35..	539 1095548 WASHER 1/2				

DEBRIS SHIELD

TUNNEL DECK

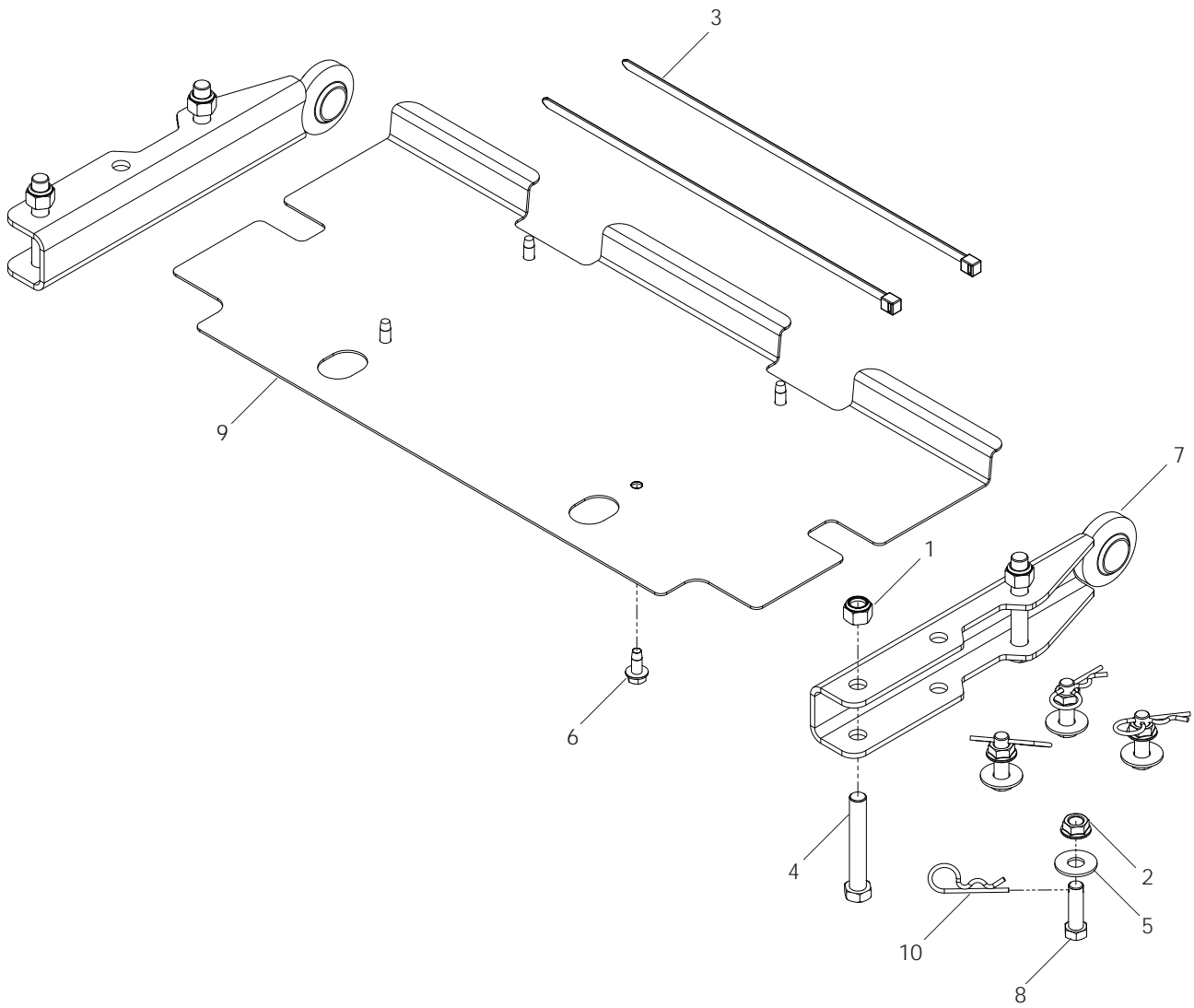


DEBRIS SHIELD

ITEM	PART NO.	QTY.	DESCRIPTION	ITEM	PART NO.	QTY.	DESCRIPTION
1..	539 132751....	1	GUARD DEBRIS, LT	7..	539 112642....	1	DEFLECTOR
2..	539 132753....	1	GUARD DEBRIS, RT	8..	539 132499....	1	GUARD, RUBBER, SMALL
3..	539 132754....	1	GUARD, RUBBER	9..	539 107475....	5	BOLT ⁵ / ₁₆ -18 x ³ / ₄ TRD FRM
4..	539 132756....	2	STRAP, GUARD	10..	539 112899....	5	NUT ⁵ / ₁₆ -18 FLANGE NYLOC
5..	539 107631..	12	SCREW, ¹ / ₄ -20 x ⁵ / ₈ , TRDROLL	11..	539 108147..	12	INSERT ¹ / ₄ -20 KNURLED
6..	539 132759....	2	STRUT	12..	539 976998....	2	ZERK

DEBRIS SHIELD

COMBI DECK



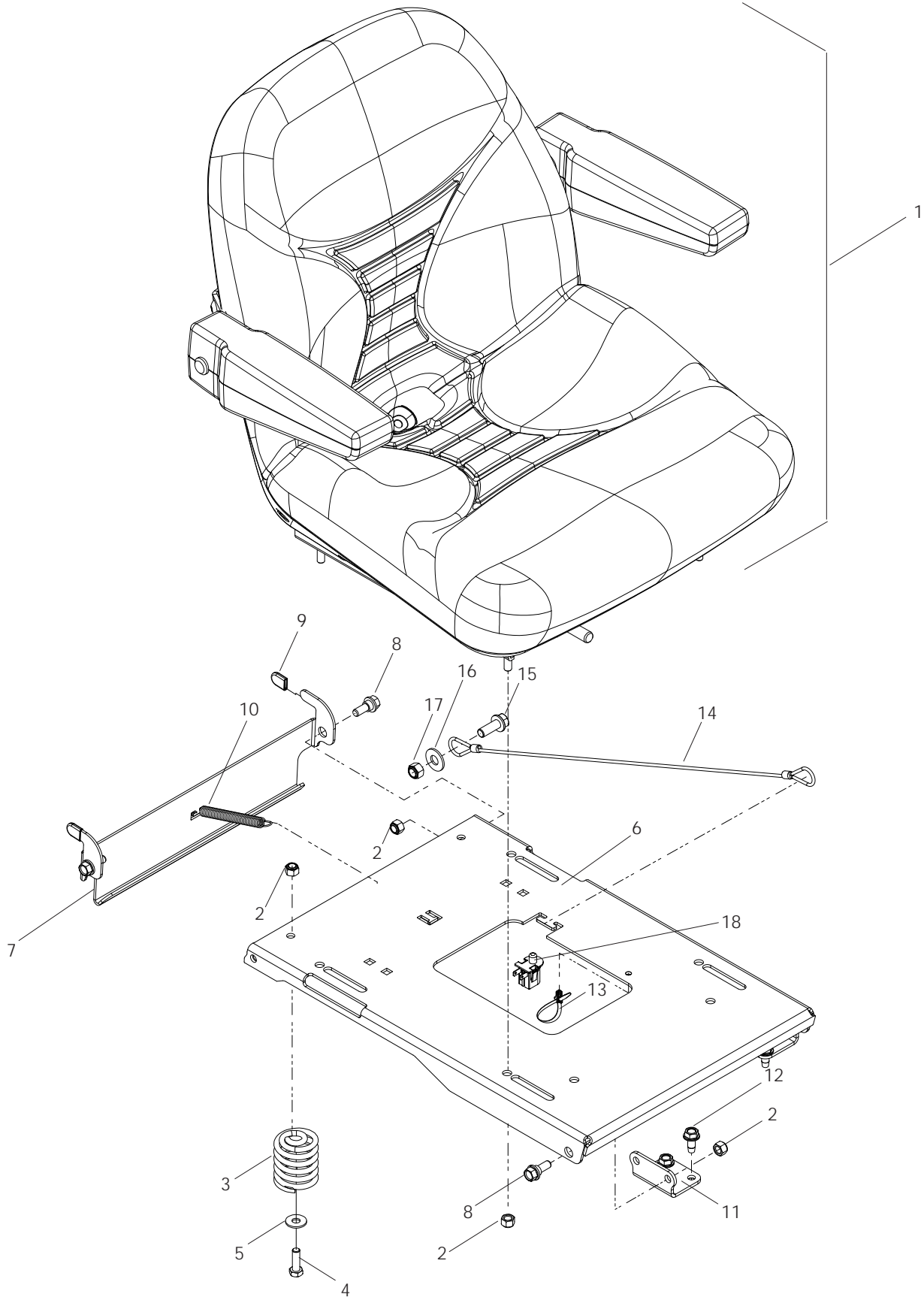
DEBRIS SHIELD

ITEM	PART NO.	QTY.	DESCRIPTION	ITEM	PART NO.	QTY.	DESCRIPTION
1..	539 101331....	4	NUT 1/2-13 HEX NYLOC	6..	539 107475....	4	BOLT 5/16-18 x 3/4 TRD FRM
2..	539 102582....	4	NUT 7/16-14, WHIZLK	7..	539 112516....	2	STRUT, REAR
3..	539 102115....	2	PLASTIC TIE	8..	539 112520....	4	HCS 7/16-14 x 1 1/2, SPEC
4..	539 103433....	4	HCS 1/2-13 x 3 1/4	9..	539 112636....	1	REAR DEBRIS SHIELD
5..	539 104864....	4	WASHER 7/16	10..	539 976989....	4	HAIRPIN #4

FUEL SYSTEM

ITEM	PART NO.	QTY.	DESCRIPTION	ITEM	PART NO.	QTY.	DESCRIPTION
1..	539 1026701	DECAL, FUEL VALVE	5..	539 922091....1	LINE, FUEL
2..	539 102679....1	VALVE, FUEL	6..	539 1303931	CAP, FUEL
3..	539 104410....1	TANK, FUEL RT	7..	539 102502....6	STUD
	539 104409 ...1	TANK, FUEL LT	8..	539 105280....1	LINE, FUEL
4..	539 912222....6	CLAMP, HOSE	9..	539 108212....1	LINE, FUEL

SEAT

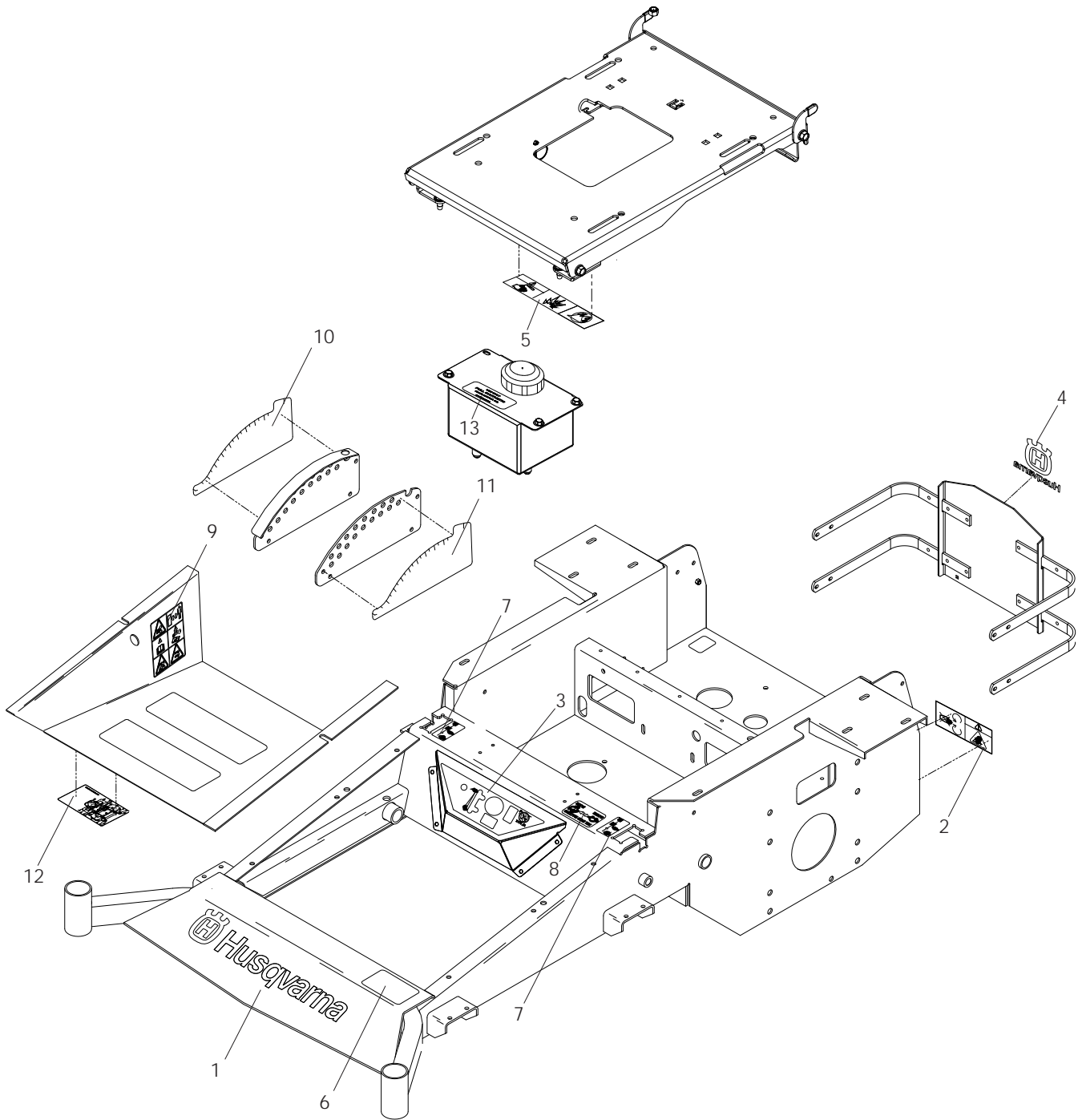


SEAT

ITEM	PART NO.	QTY.	DESCRIPTION
1..	539 130873....	1	SEAT
2..	539 990717....	4	NUT ⁵ / ₁₆ -18 HEX NYLOC
3..	539 110300....	2	SPRING, SEAT
4..	539 990209....	2	HCS ⁵ / ₁₆ -18 X 1
5..	539 990692....	2	WASHER ⁵ / ₁₆ STD FLT
6..	539 130785....	1	PAN, SEAT
7..	539 130787....	1	LATCH, SEAT
8..	539 130896....	4	SB ⁵ / ₁₆ -18 HEX HD
9..	539 130898....	2	GRIP, VINYL
10..	539 977250....	1	SPRING

ITEM	PART NO.	QTY.	DESCRIPTION
11..	539 130789....	2	PIVOT, SEAT PAN
12..	539 107475....	4	BOLT ⁵ / ₁₆ -18 x ³ / ₄ TRD FRM
13..	505 280001....	1	TIE WRAP W/CLIP
14..	539 103247....	1	LANYARD, SEAT
15..	539 990582....	1	HCS ³ / ₈ -16 X 1 WHIZLK
16..	539 990517....	1	WASHER ³ / ₈ STD FLT
17..	539 976979....	1	NUT ³ / ₈ -16 HEX NYLOC
18..	539 119741....	1	SWITCH, SEAT

DECALS



DECALS

ITEM	PART NO.	QTY.	DESCRIPTION	ITEM	PART NO.	QTY.	DESCRIPTION
1..	539 1110461DECAL, HUSQ. 15" BLUE	10..	539 112607	...1	...DECAL, HEIGHT
2..	539 105744	...1	...DECAL, BELT DRIVES	11..	539 112608	...1	...DECAL, HEIGHT
3..	539 1109561DECAL, CONSOLE	12..	539 1050111DECAL, SERVICE
4..	539 1110551DECAL, HUSQ. SILVER	13..	539 114832	...1	...DECAL, OIL TANK
5..	539 105745	...1	...DECAL, BATTERY WARNING	NOT SHOWN			
6..	539 1125191DECAL, LZ25		539 100128	...1DECAL, EXHAUST
7..	539 103333	...2	...DECAL, MOTION CONTROL		539 1129601DECAL, CE 986999310
8..	539 110974	...2	...DECAL, TRACKING		532 162598	...1DECAL, DRAWBAR LOAD
9..	539 1115751DECAL, WARNING				